

## SNAP IN PLASTIC CASES



### PRODUCT INFORMATION

#### MATERIEL:

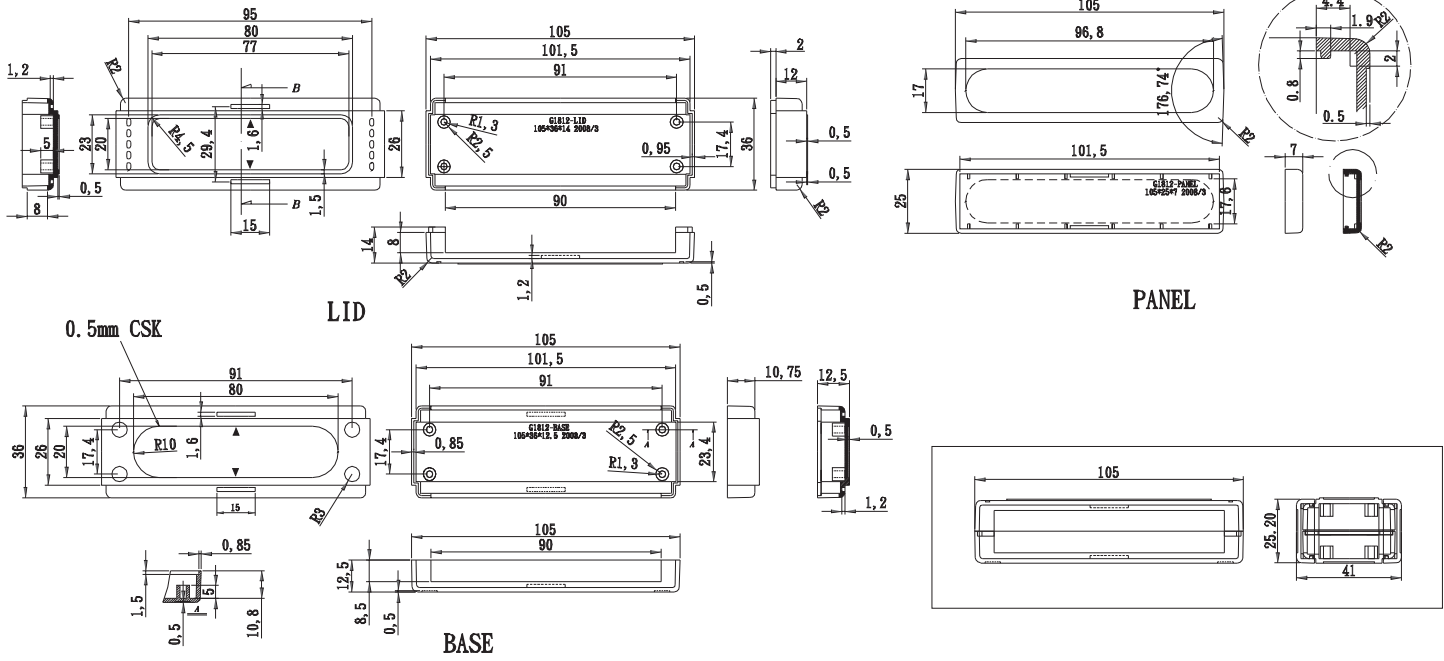
- High impact UL94-HB ABS

ITEM No.	COLOR			EXTERNAL DIMENSION(MM)
	LID	BASE	PANELS	
<b>G1812</b>	Light Grey	Dark Grey	Dark Grey	105 x 41 x 25.2
<b>G1814</b>	Light Grey	Dark Grey	Dark Grey	130 x 76 x 30
<b>G1816</b>	Light Grey	Dark Grey	Dark Grey	155 x 92 x 29.5
<b>G1818</b>	Light Grey	Dark Grey	Dark Grey	200 x 121 x 40

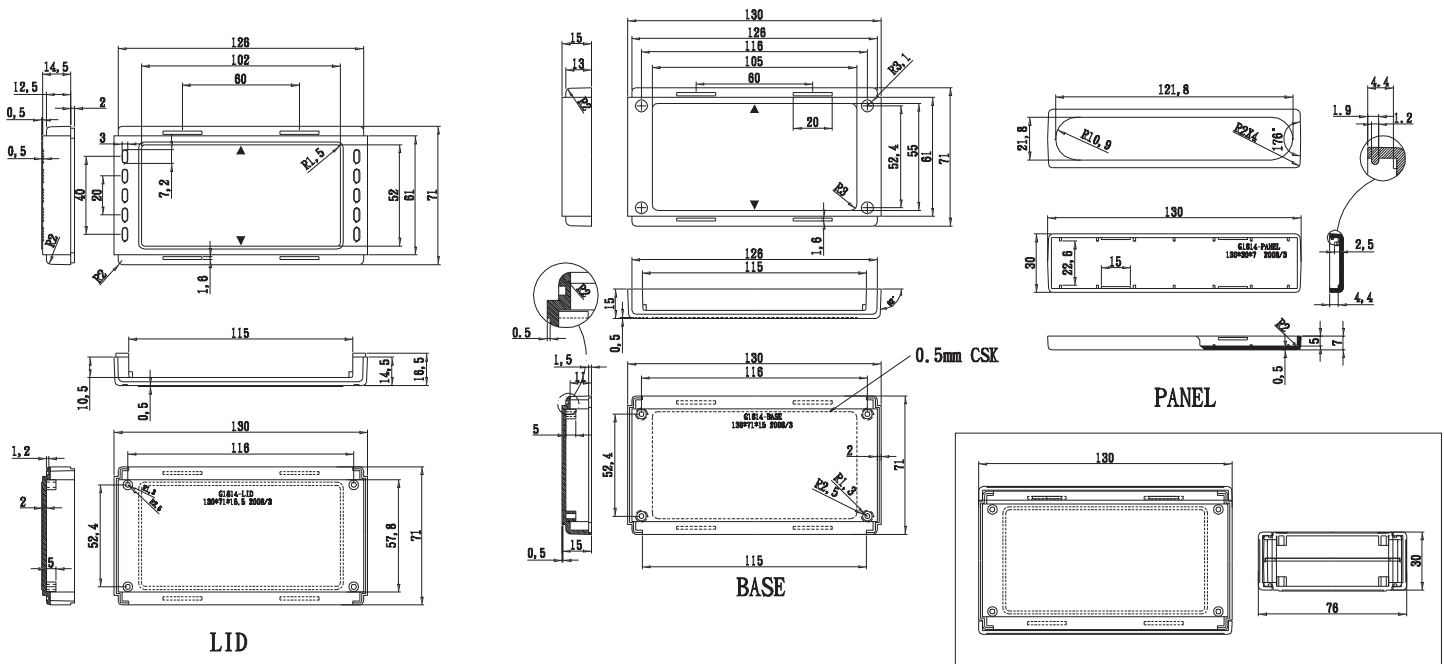
#### FEATURES:

- Lid & base are molded in light grey color, front & end panels are olded in dark grey color.
- Sap-in type of design to save the time in the product assembly.
- 4 pcs of internal bosses are available for pcb assembly.
- Ideally use for desktop instrumentation , network & telecommunication device.
- Rubber feet < RF-1001 > for G1812, G1814 & G1816 use is available for ordering.
- Rubber feet < RF-6002 > for G1818 use is available for ordering.

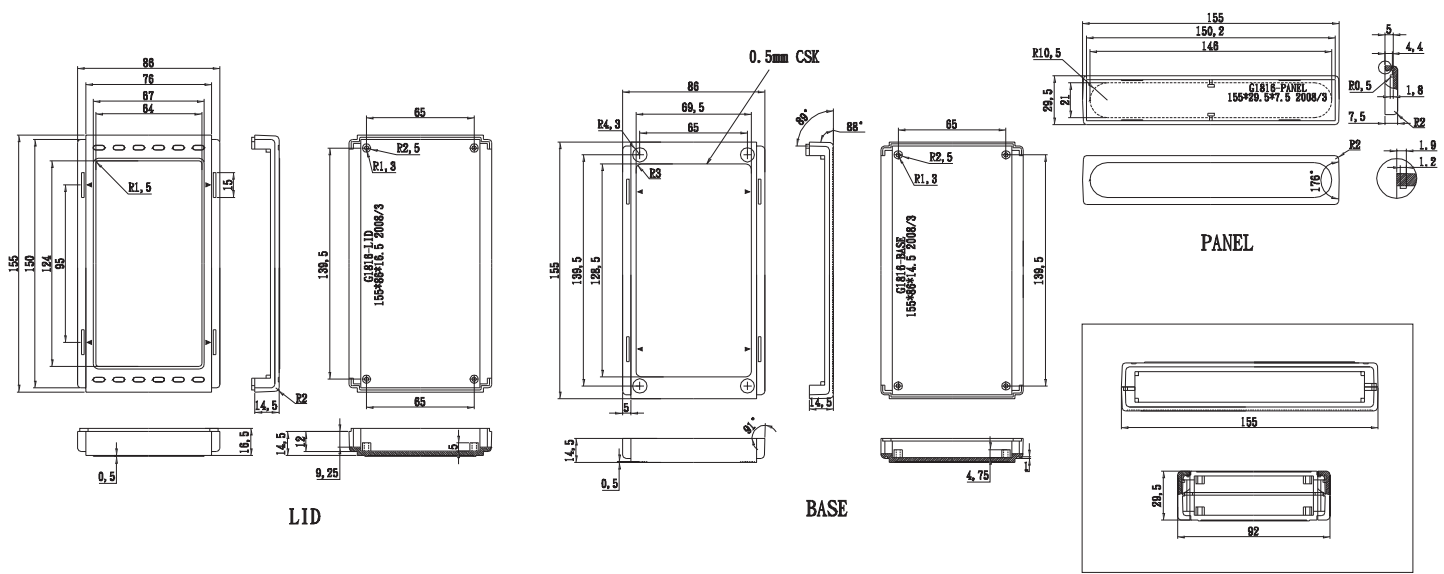
**G1812**



**G1814**



**G1816**



**G1818**

